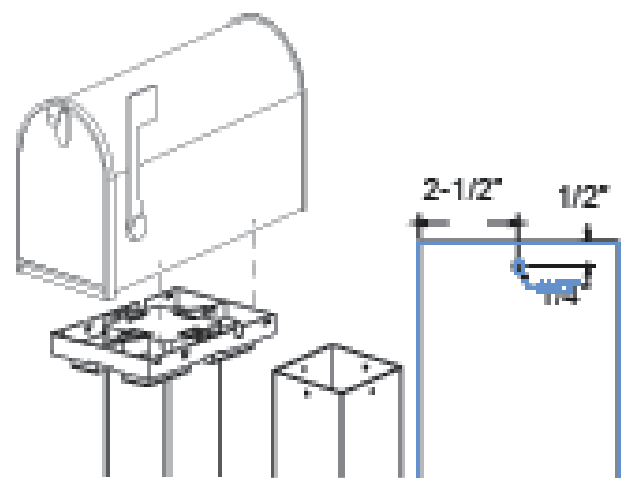


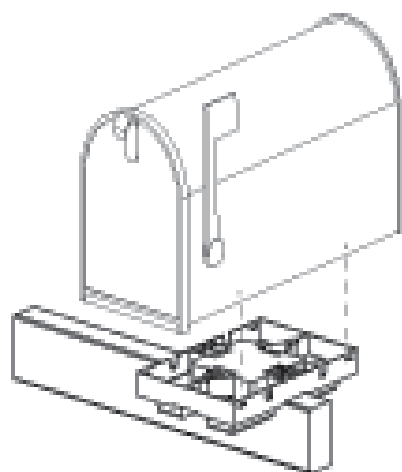
Three Methods for using this mailbox mount.

Mounting Style 1



Mount on top of a 5" x 5" vinyl post. Use a 1/4" drill bit and place 4 holes as shown above.

Mounting Style 2



Mount on top of a 2" x 3 1/2" vinyl rail which may be used in two different places as shown. Holes are provided so that the mount can be attached to the rail using screws.

Mounting Style 3

