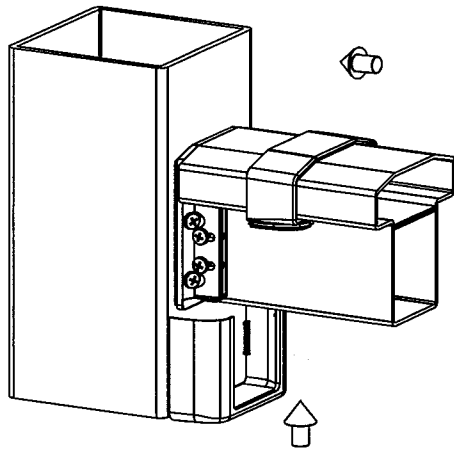
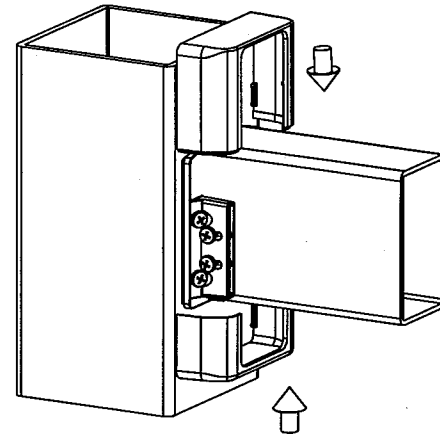


3 PIECE BRACKET SYSTEM INSTALLATION INSTRUCTIONS



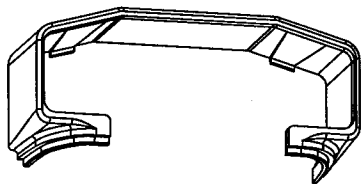
T-RAIL COVER INSTALLATION

- 1 - STRETCH THE T-RAIL TOP COVER OVER THE T SECTION OF THE RAIL AND SLIDE IT BACK AGAINST THE POST UNTIL IT SNAPS INTO THE BRACKET.
- 2 - HOLDING THE BOTTOM T-RAIL COVER FIRMLY AGAINST THE POST, SLIDE THE COVER UPWARD UNTIL IT SNAPS INTO THE BRACKET.

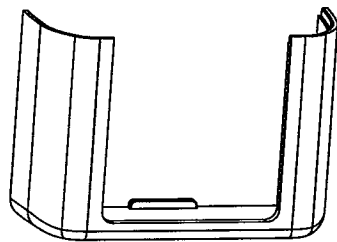


2 X 3-1/2 COVER INSTALLATION

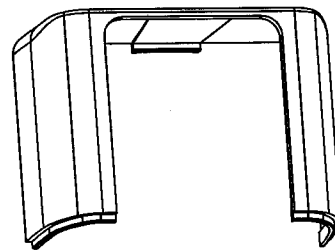
- 1 - HOLDING THE TOP 2 X 3-1/2 COVER FIRMLY AGAINST THE POST, SLIDE THE COVER DOWNWARD UNTIL IT SNAPS INTO THE BRACKET.
- 2 - HOLDING THE BOTTOM 2 X 3-1/2 COVER FIRMLY AGAINST THE POST, SLIDE THE COVER UPWARD UNTIL IT SNAPS INTO THE BRACKET.



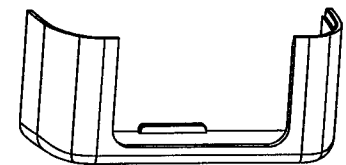
T-RAIL COVER TOP



T-RAIL COVER BOTTOM

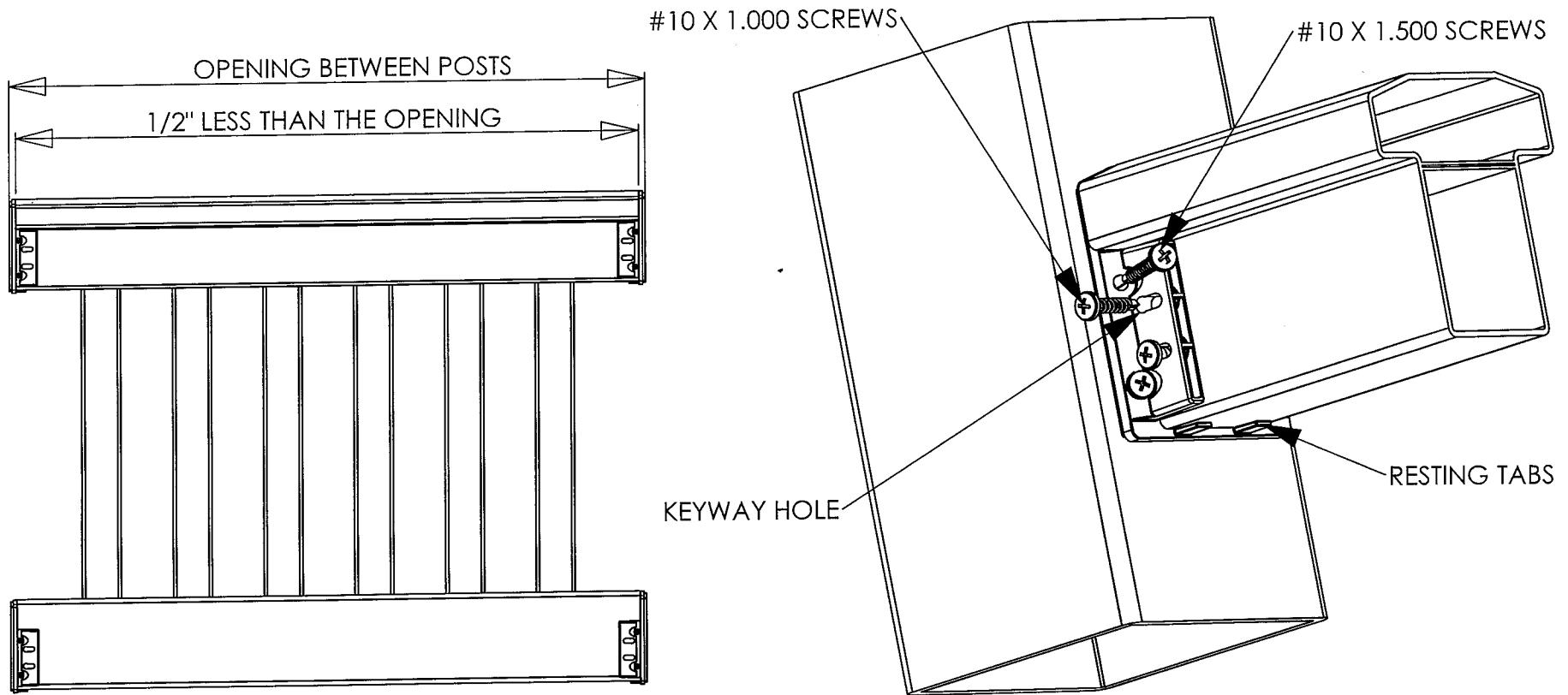


2 X 3-1/2 COVER TOP



2 X 3-1/2 COVER BOTTOM

3 PIECE BRACKET SYSTEM INSTALLATION INSTRUCTIONS



- 1 - BEGIN BY PRE-ASSEMBLING THE RAILING SECTION ON THE GROUND. THE SECTION SHOULD BE CUT 1/2" SHORTER THAN THE LENGTH OF THE OPENING BETWEEN THE POSTS.
- 2 - PLACE ONE BRACKET ON EACH END OF BOTH THE UPPER AND THE LOWER RAILS. INSURE THAT THE RESTING TABS ARE FLUSH WITH THE BOTTOM OF EACH RAIL.
- 3 - POSITION THE ENTIRE SECTION BETWEEN THE POSTS AND AT THE DESIRED HEIGHT ABOVE THE DECKING SURFACE.
- 4 - INSTALL THE SUPPLIED #10 X 1.500 LONG SCREWS INTO THE ANGLED FLANGES OF THE BRACKET INTO THE POST UTILIZING (4) SCREWS PER BRACKET. REPEAT THIS STEP FOR ALL 4 BRACKETS. (NOTE: WHEN USING ALUMINUM STIFFENERS INSIDE THE POSTS, PRE-DRILLING MAY BE REQUIRED)
- 5 - INSTALL THE SUPPLIED #10 X 1.000 LONG SCREWS INTO THE SIDES OF THE BRACKET. INSURE THAT THE SCREW PLACEMENT IS INTO THE KEYWAY HOLE CLOSEST TO THE POST. THIS WILL ALLOW FOR THERMAL CONTRACTION OVER THE LIFE OF THE SYSTEM. UTILIZE (4) SIDE SCREWS PER BRACKET FOR OPTIMUM PERFORMANCE. REPEAT THIS STEP FOR ALL 4 BRACKETS.